

PM80

ULTRA HIGH PRESSURE GREASE PUMPS



200:1 PRESSURE RATIO

Ultra high pressure grease pumps, designed to be used in oil and gas wells in wireline and plug valve applications:

- » In wireline applications, these pumps are used to seal against the well external pressure, preventing the tube from collapsing as the well is perforated.
- » In plug valve applications, these pumps move heavy grease into "Christmas tree valves", sealing any gas leak.

MAIN FEATURES:

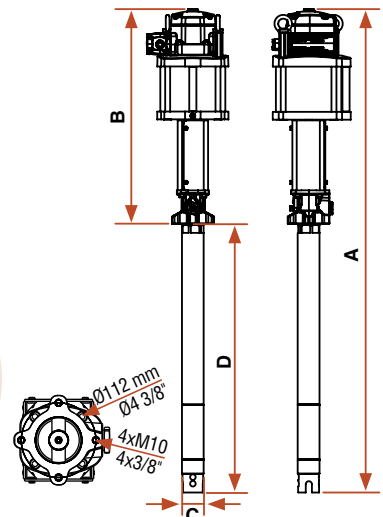
- 8" air motor, effective diameter, for maximum power.
- Well proven, no stall and no ice forming air motor.
- Reinforced construction, to stand up to 20,000 psi pressure.
- Reliable fluid seals.
- Divorced designed with steel covers to protect pump rod from tough environment.
- ATEX certified pump EX II 2G Ex h IIB T6...T5 Gb - EX II 2D Ex h IIB T70°C...T95°C Db.

PM80 ULTRA HIGH PRESSURE GREASE PUMPS

533 911 PM80 Ultra High Pressure 200:1 grease pump. 185 kg / 400 lb drum.

533 921 PM80 Ultra High Pressure 200:1 grease pump. 50 kg / 120 lb drum.

PUMP RATIO	200:1
CONTINUOUS DUTY FLOW RATE	1,5 kg/min - 3.3 lb/min
AIR PRESSURE OPERATING RANGE	2 to 7 bar - 30 to 100 psi
MAXIMUM OUTLET PRESSURE	1.400 bar - 20,000 psi
AIR MOTOR EFFECTIVE DIAMETER	200 mm - 8"
AIR MOTOR STROKE	100 mm - 4"
AIR INLET THREAD	3/4" NPT (F)
FLUID OUTLET	Autoclave engineers medium pressure port for 9/16" Tube, 13/16-16 UN thread (SF562CX20)
WETTED AND SEAL MATERIALS	Carbon steel, cast iron, bronze, PEEK, Teflon®, NBR
WEIGHT	56 kg - 124 lb

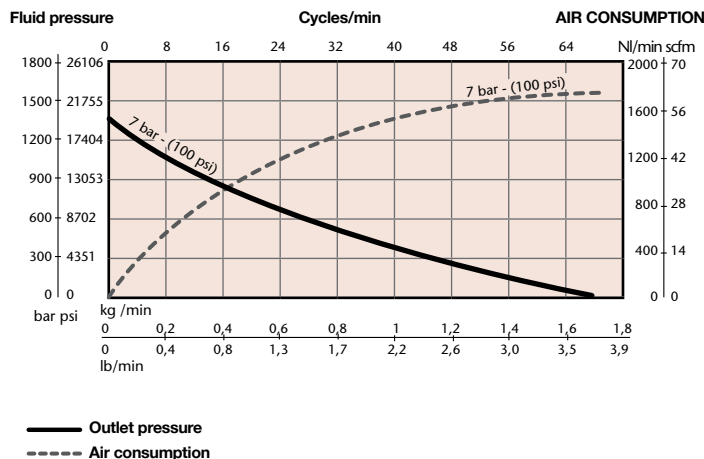


DIMENSIONS mm (in)		
DRUM TYPE	185 kg/400 lb	50 kg/120 lb
MODEL	533 911	533 921
A	1.540 (60 3/5")	1.387 (54 3/5")
B	684 (26 9/10")	684 (26 9/10")
C	70 (2 3/4")	70 (2 3/4")
D	855 (33 13/20")	700 (27 1/2")

ATEX certified pump II 2G Ex h IIB T6...T5 Gb
II 2D Ex h IIB T70°C...T95°C Db

WARNING: SAMOA 8" 200:1 pumps deliver pressures up to 1.400 bar (20,000 psi) which is in excess of the rated capacity of the accessories normally used with lubrication equipment. These 200:1 pumps can only be used in permanently installed systems where the pump is connected directly to the piping with a proper rating for the application.

NLGI-2, 21 °C (70 °F) CAPACITY CURVE



ACCESSORIES



418 018
Drum cover, for 50 Kg - 120 lb drums
Includes adaptor.

418 026
Drum cover, for 185 - 400 lb drums



417 016
Follower plate for 50 Kg - 120 lb drums

417 015
Follower plate for 185 Kg - 400 lb drums



534 906
Pump bracket for pump horizontal mounting



534 900
3" Cam-Lock adaptor kit
Allows mounting PM80 pump to bulk totes fitted with 3" cam-lock quick connection.



SAMOA INDUSTRIAL, S.A. - HEADQUARTERS
SPAIN AND EXPORT MARKETS
POL. IND. PORCEYO, I-14 - CAMINO DEL FONTÁN, 831
E-33392 GIJÓN (ASTURIAS), SPAIN
TEL.: +34 985 381 488 - FAX: + 34 985 147 213
export@samoaindustrial.com - www.samoaindustrial.com



SAMOA Industrial, S.A. is an ISO 9001, ISO 14001 and OHSAS 18001 certified company.