

## AdBlue MANUAL NOZZLE



### Description:

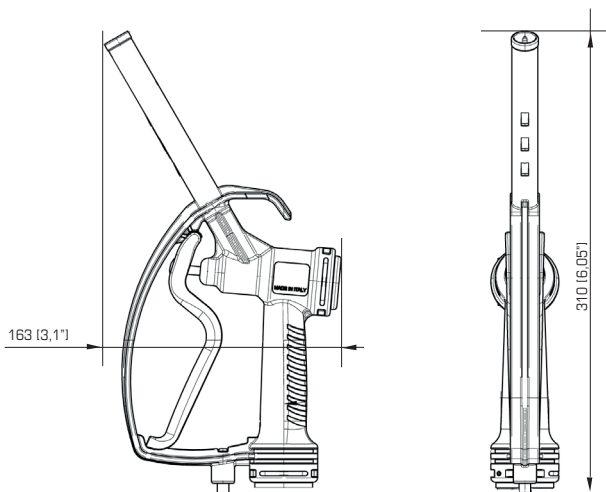
Plastic manual nozzle designed for delivering aggressive chemical fluids. It is light, robust and includes a trigger latching mechanism.

### Suitable for the following fluids:

**Aus 32 (D.E.F., Ad-Blue®)**

Water  
Diesel  
Oil  
Lubricants

### Dimensions:



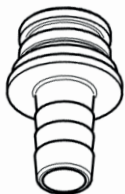
### Technical Specifications:

Flow rate @ 2 bar pressure drop	90 l/min (23,8 GPM)
Max. pressure	5 bar (72.5 psi)
Max. temperature	60 °C (120 °F)
Trigger opening force	< 70 N (< 16 lbf)
Weight (Approx)	270 g (0.59 pounds)
Wetted parts	Glass fiber reinforced PA6, Glass fiber reinforced PP, Stainless steel, Viton
O-Rings	Viton

### Available Products:

Below codes refer to above nozzle with corresponding fitting factory assembled:

Code:  
**361 001.370**



Ø3/4"

Code:  
**361 002.370**



Ø1"

Code:  
**361 003.370**



1" G Female Swivel