

Aluminium Manual Gun



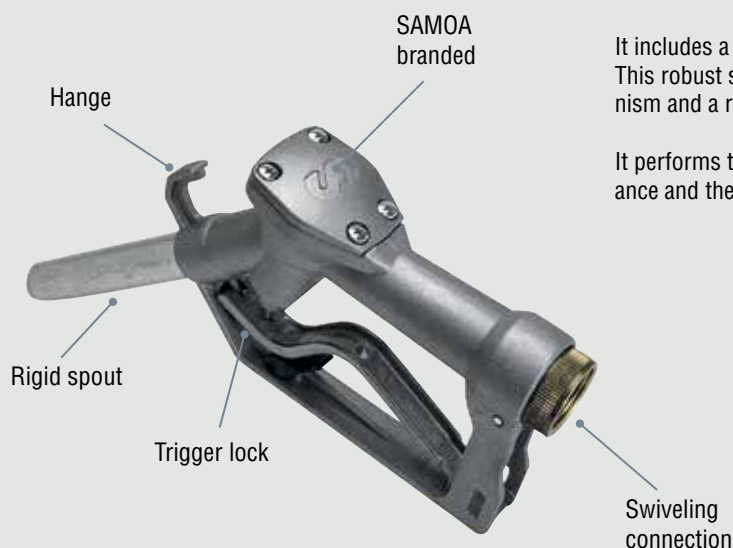
Part. No: 361000

DESCRIPTION

High-quality manual nozzle made in aluminium for fuel supply to vehicles.

It includes a swivel connection at the inlet for easier operation. This robust standard version includes a trigger cut-off mechanism and a reinforced piston.

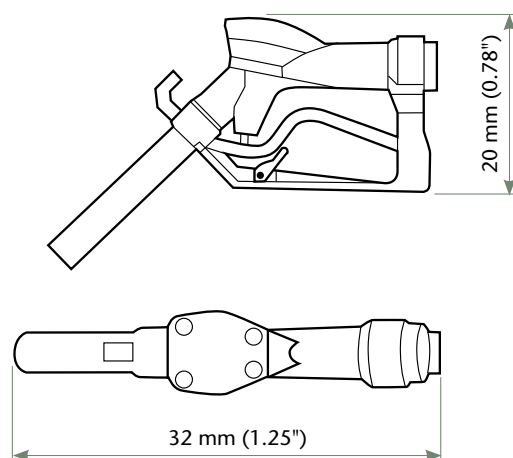
It performs the maximum efficiency thanks to the low-flow resistance and the wide range of application.



TECHNICAL SPECIFICATIONS

Weight	0,67 kg (1.48 lb)
Wetted materials	Viton, Aluminium, Brass
Max. flow rate	100 l/min (26.4 gal/min)
Inlet thread	1" BSP (F)
Temperature range	-20 / +40 °C (-4 / +104 °F)

DIMENSIONS



Samoa Industrial, S.A.

Pol. Ind. Porceyo, I-14 • Camino del Fontán, 831
E 33392 GIJÓN (Asturias) SPAIN
Tel.: +34 985 381 488 • Fax: +34 985 384 163
www.samoaindustrial.com

Rev. 1. 05/2022