

## SAFETY QUICK COUPLERS FOR COMPRESSED AIR

### Description:

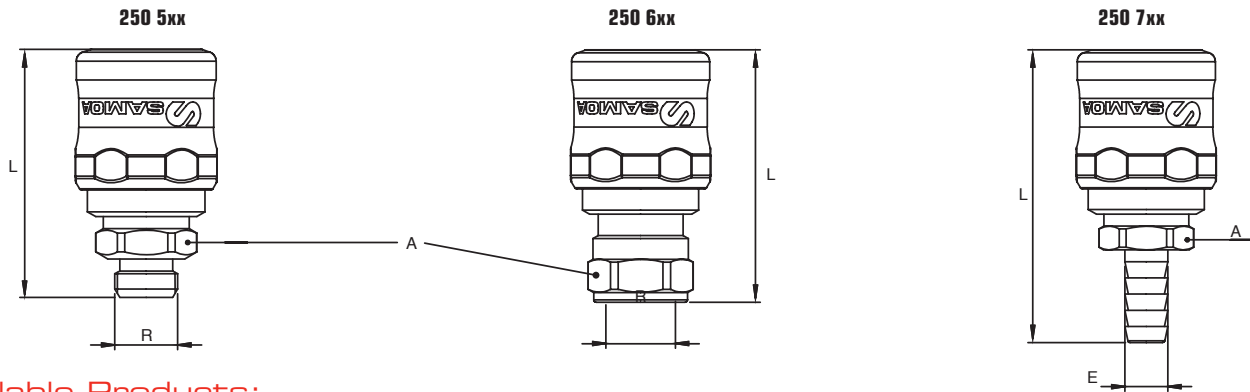
Safety quick couplers for compressed air distribution lines. When the user pulls back the coupler sleeve, to release the air nipple from the coupler, the coupler exhausts the compressed air from within the coupling, whilst mechanically still retaining the nipple. Next, when the user lets go of the sleeve, the nipple is released from the coupler. The risk of whiplash of the connected hose is hence eliminated so contributing to a safer workplace.

This safety quick couplers are conform to ISO 6150 B12.

### Technical Specifications:

Flow rate@6bar	> 1000 l/min (> 35 cfm)
Temperature range	Between -18 °C (0 °F) and +80 °C (176 °F)
Working	Between 1bar (145 psi) and 15 bar (217 psi)
Materials in contact with air	NBR, stainless steel and nickel plated brass
Threads	BSP

### Dimensions:



### Available Products:

Code	Description	Weight (g) - [pounds]	L (mm) - [inches]	A (mm) - [inches]	R	E (mm) - [inches]
250 614	SAFETY COUPLER F1/4" ISO 6150 B12	71 - 0.15	52 - 2.04	17 - 0.67	1/4" G	
250 638	SAFETY COUPLER F3/8" ISO 6150 B12	75 - 0.16	53 - 2.08	20 - 0.79	3/8" G	
250 612	SAFETY COUPLER F1/2" ISO 6150 B12	85 - 0.18	56 - 2.2	24 - 0.95	1/2" G	
250 514	SAFETY COUPLER M1/4" ISO 6150 B12	70 - 0.15	51,5 - 2.02	19 - 0.75	1/4" G	
250 538	SAFETY COUPLER M3/8" ISO 6150 B12	73 - 0.16	52 - 2.04	20 - 0.79	3/8" G	
250 512	SAFETY COUPLER M1/2" ISO 6150 B12	93 - 0.20	53 - 2.08	25 - 0.98	1/2" G	
250 708	SAFETY COUPLER HOSE BARB 5/16" ISO 6150 B12	68 - 0.15	61,5 - 2.42	18 - 0.71		Ø9 - 5/16"
250 710	SAFETY COUPLER HOSE BARB 3/8" ISO 6150 B12	70 - 0.15	61,5 - 2.42	18 - 0.71		Ø11 - 3/8"

\* This product is sold in plastic bags containing two couplers. Product code represents one single coupler.