

Quick lock-on grease coupler



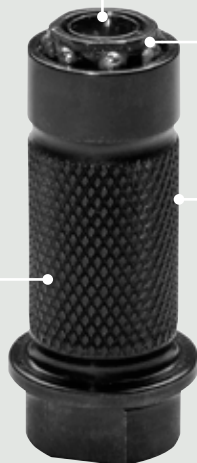
121 060

Easy-coupling
w/ DIN 71412
grease fittings

No jaws.
Seven retaining balls

Knurled body

Made in steel



DESCRIPTION

Revolutionary grease coupler. Smooth lock-on mechanism that eases grease fitting coupling and uncoupling. This is a durable, jaws-free coupler that includes seven retaining balls instead, assuring a proper sealing between grease fitting* and grease pump up to a pressure of 700 bar.

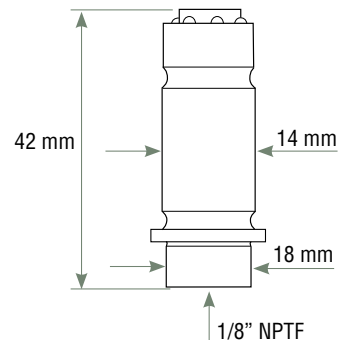
Greasing tasks have never been that easy, clean, safe and fast.

* DIN 71412

TECHNICAL SPECIFICATIONS

Wetted materials	Carbon steel, Stainless steel
Max. pressure	700 bar / 10000 psi
Weight	40 g / 0.09 pounds
Inlet thread	1/8" NPT Female

DIMENSIONS



ACCESSORIES

136 021
300 mm outlet grease hose



289 997
Counter display for 10 units



Samoa Industrial, S.A.

Pol. Ind. Porceyo, I-14 • Camino del Fontán, 831
E 33392 GIJÓN (Asturias) SPAIN
Tel.: +34 985 381 488 • Fax: +34 985 384 163
www.samoaindustrial.com

Rev.2. 07/2017