

SAMOA INDUSTRIAL, S.A. - HEADQUARTERS

SPAIN AND EXPORT MARKETS

POL. IND. PORCEYO, I-14 - CAMINO DEL FONTÁN, 831
E-33392 GIJÓN (ASTURIAS), SPAIN
TEL.: +34 985 381 488 - FAX: + 34 985 147 213

SAMOA ITALIA - LARIUS

ITALY

VIA ANTONIO STOPPANI,21
23801 CALOLZIOCORTE (LC) ITALY
Tel.: +39 0341 621152 - Fax: + 39 0341 621242

SAMOA LTD.

UNITED KINGDOM AND REP. OF IRELAND

ASTURIAS HOUSE - BARRS FOLD ROAD
WINGATES INDUSTRIAL PARK
WESTHOUGHTON, BL5 3XP, UK
TEL.: +44 1942 850600 - FAX: +44 1942 812160



©Copyright, SAMOA INDUSTRIAL, S.A.

SAMOA Industrial, S.A. is an ISO 9001, ISO 14001 and ISO 45001 certified company.



Contact us today!

Visit www.samoaindustrial.com for more information.

| OPERATING AND MAINTENAINCE MANUAL AVAILABLE IN: | | |
|---|----|---|
| | IT | https://www.larius.com/wp-content/uploads/regolatore-7204.pdf |
| | EN | https://www.larius.com/wp-content/uploads/regolatore-7204.pdf |

SAMOA S.A.R.L.

FRANCE

P.A.E.I. DU GIESSEN
3, RUE DE BRISCHBACH
67750 SCHERWILLER, FRANCE
TEL.: +33 3 88 82 79 62 - FAX: +33 3 88 82 77 88

SAMOA FLOWTECH GMBH

GERMANY, AUSTRIA, SWITZERLAND, THE NETHERLANDS AND GREECE

AM OBEREICHHOLZ 4
D - 97828 MARKTHEIDENFELD, GERMANY
TEL.: +49 9391 9826 0 - FAX: +49 9391 98 26 50

SAMOA CORPORATION

USA AND CANADA
90 MONTICELLO ROAD
WEAVERVILLE, NC 28787, USA
TEL. +1 (828) 645-2290 - FAX: +1 (828) 658 0840



www.larius.com

**REGOLATORE
DI FLUSSO 7204**

0-14 bar inox per prodotti densi
con manometro

*FLUID
REGULATOR 7204*

*0-14 bar stainless for dense
products with manometer*

VERSIONI/VERSIONS:

7204/1

7204/2



IT

<https://www.larius.com/wp-content/uploads/regolatore-7204.pdf>

EN

<https://www.larius.com/wp-content/uploads/regolatore-7204.pdf>

REGOLATORE DI FLUSSO 7204-7204/1-7204/2

Pressione massima di ingresso: 20 bar

Campo di regolazione: 0-14 bar

Portata max: 27 l/min

Ingresso materiale: BSPP 3/8" femmina girevole

Uscita materiale: BSPP 1/4" maschio

Maximum inlet pressure: 20 bar

Regulation field: 0-14 bar

Max flow: 27 l/min

Material Inlet: BSPP 3/8" revolving female

Material Outlet: BSPP 1/4" male

| Materiali del regolatore a contatto con il prodotto | Regulator materials in contact with the product |
|---|---|
| INOX AISI 420/B | Stainless steel 420/B |
| INOX AISI 303 | Stainless steel AISI 303 |
| POM | POM |
| PTFE | PTFE |

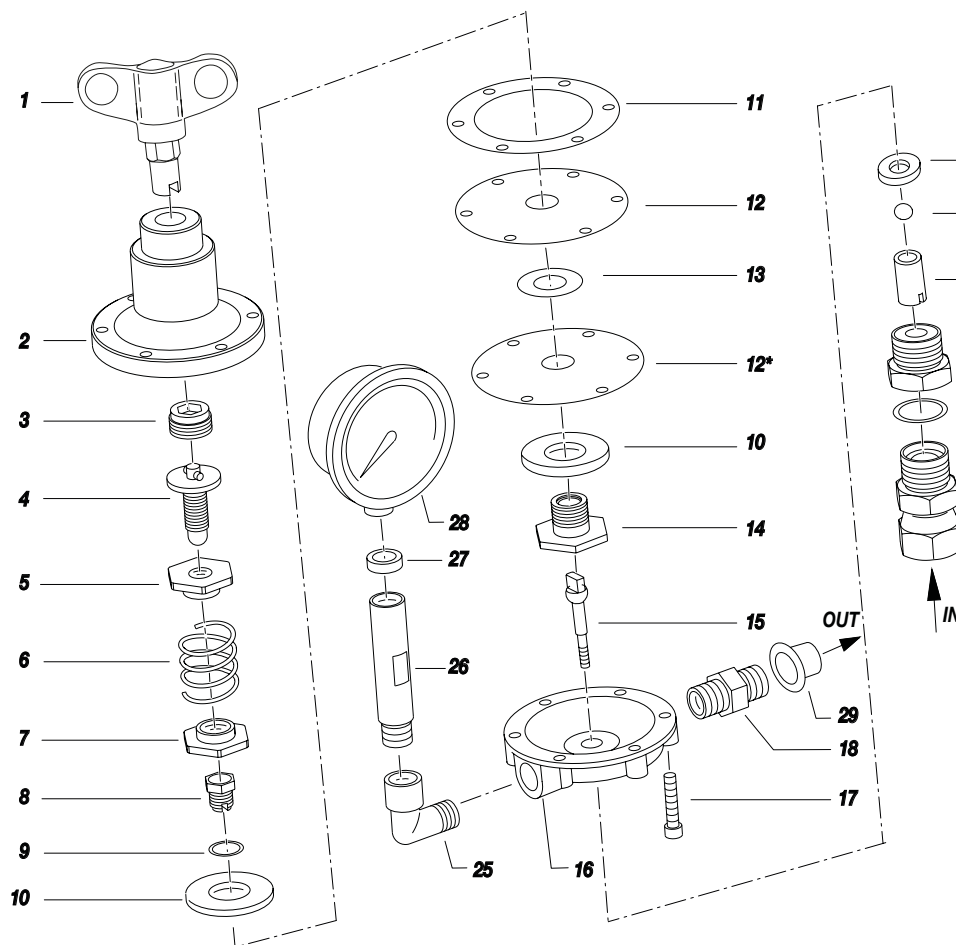
FLUID REGULATOR 7204-7204/1-7204/2



Prestare attenzione al valore Pressione Massima di Ingresso dichiarat o a 20 bar nel caso si utilizzi il codice 7204/1 con la Pompa VEGA 5:1



Pay attention to the Maximum Inlet Pressure value indicated as 20 bar in case code 7204/1 is used with Pump VEGA 5:1



| Pos. Pos. | Codice Code | Q.tà Q.ty | Descrizione | Description |
|-----------|-------------|-----------|------------------------------------|-------------------------------------|
| 1 | 7234 | 1 | Chiave di regolazione | Adjusting key |
| 2 | 7244 | 1 | Corpo regolatore | Regulator body |
| 3 | 7212 | 1 | Inserto | Insert |
| 4 | 7240 | 1 | Vite | Screw |
| 5 | 7213 | 1 | Guida molla superiore | Upper spring guide |
| 6 | 7209 | 1 | Molla | Spring |
| 7 | 7214 | 1 | Guida molla inferiore | Lower spring guide |
| 8 | 7217 | 1 | Tappo | Plug |
| 9 | 7215 | 1 | Rondella | Washer |
| 10 | 7522 | 2 | Rondella | Washer |
| 11 | 7521 | 1 | Guarnizione | Gasket |
| 12 | 7519 | 1 | Membrana PTFE vers. 7204 | PTFE diaphragm vers. 7204 |
| | 7520/1 | 1 | Membrana Nylon vers. 7204/1-7204/2 | Nylon diaphragm vers. 7204/1-7204/2 |
| 12* | 7519 | 1 | Membrana PTFE vers.7204-7204/2 | PTFE diaphragm vers. 7204-7204/2 |
| | 7520/1 | 1 | Membrana Nylon vers. 7204/1 | Nylon diaphragm vers. 7204/1 |
| 13 | 7518 | 1 | Guarnizione | Gasket |
| 14 | 7223 | 1 | Sede otturatore | Shutter seat |
| 15 | 7231 | 1 | Asta otturatore | Shutter rod |
| 16 | 7210 | 1 | Sede membrana | Diaphragm seat |
| 17 | 7237 | 6 | Vite | Screw |
| 18 | 6147 | 1 | Nipplo uscita | Outlet nipple |
| 19 | 33027/2 | 1 | Sede sfera | Ball seat |
| 20 | 7221 | 1 | Sfera | Ball |
| 21 | 7233 | 1 | Bussola | Bush |
| 22 | 7227/2 | 1 | Raccordo sede sfera | Ball seat fitting |
| 23 | 33010 | 1 | Rondella | Washer |
| 24 | 23161 | 1 | Raccordo ingresso | Inlet fitting |
| 25 | 98377 | 1 | Gomito | Elbow |
| 26 | 8064 | 1 | Prolunga manometro | Manometer extension |
| 27 | 11623 | 1 | Rondella | Washer |
| 28 | 7003 | 1 | Manometro 0-16 bar | Manometer 0-16 bar |
| 29 | 104 | 1 | Tappo 1/4" | Plug 1/4" |